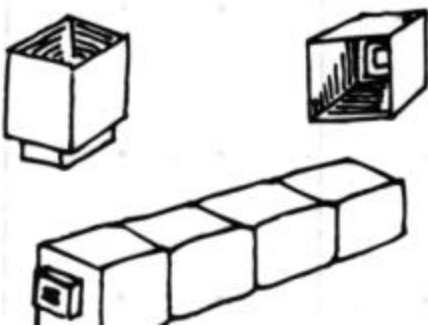
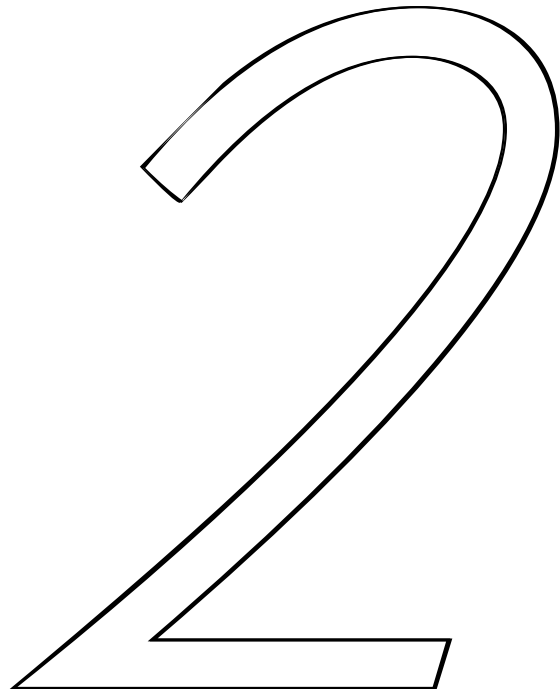


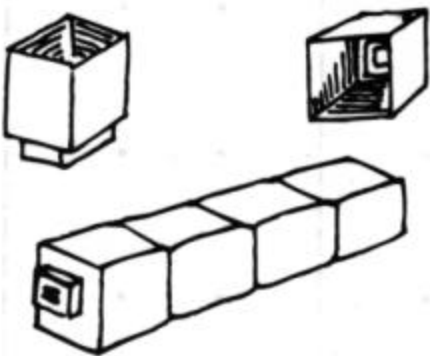
# *Number Journal*

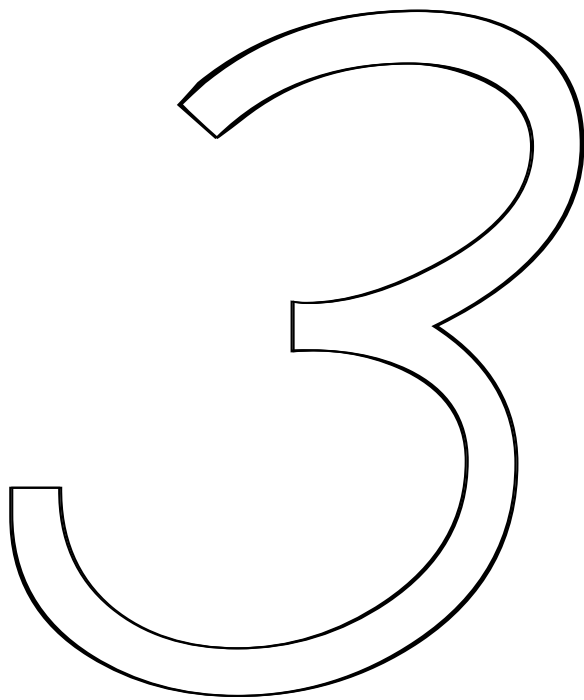
---



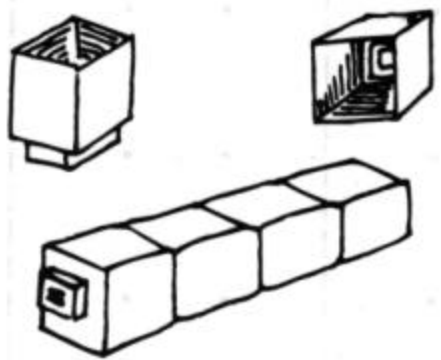


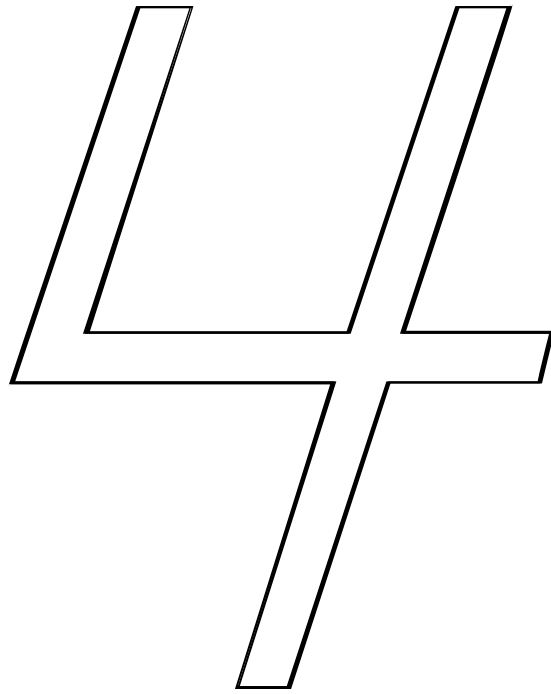
*Number Journal*



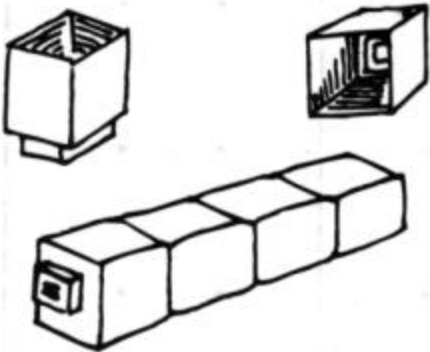


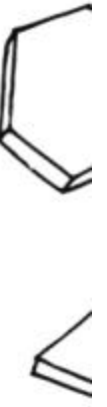
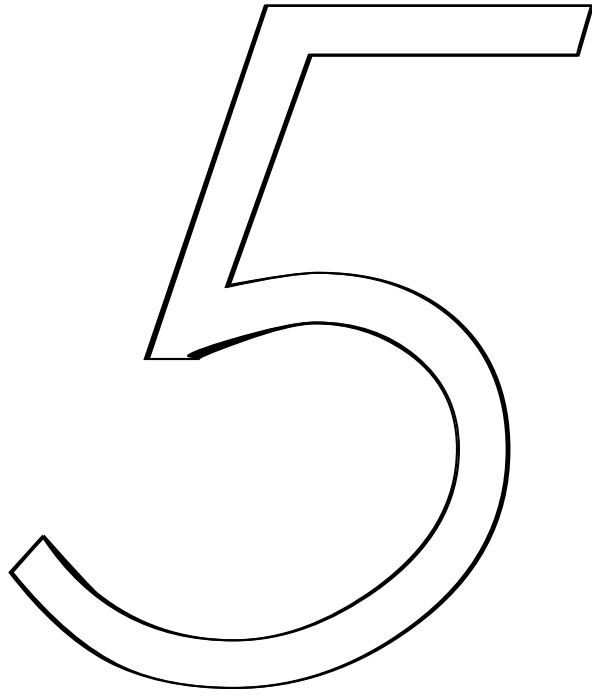
*Number Journal*



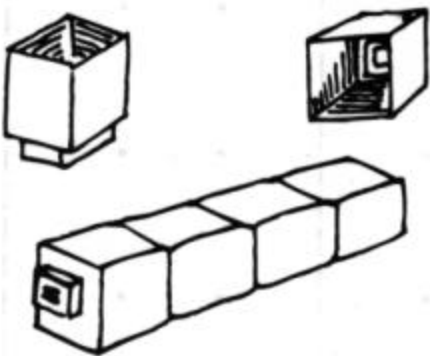


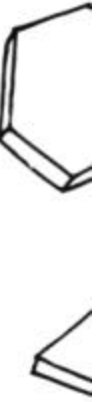
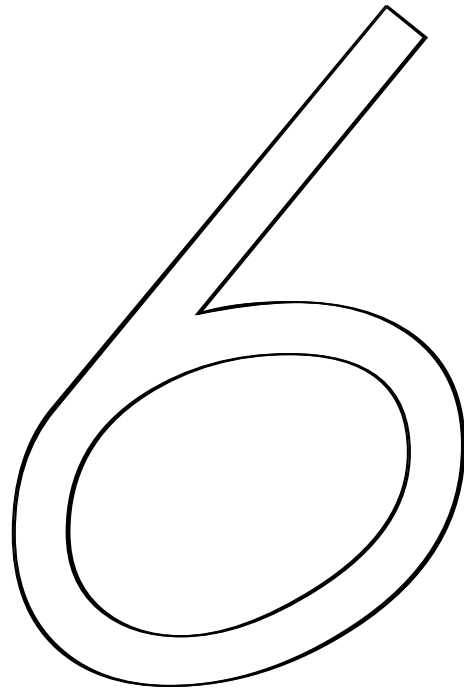
*Number Journal*





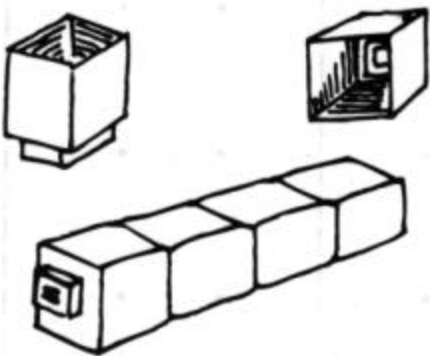
*Number Journal*

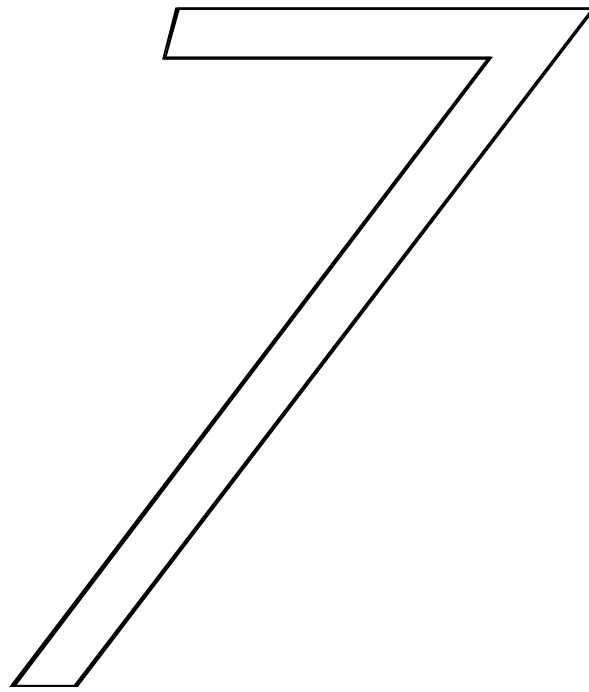




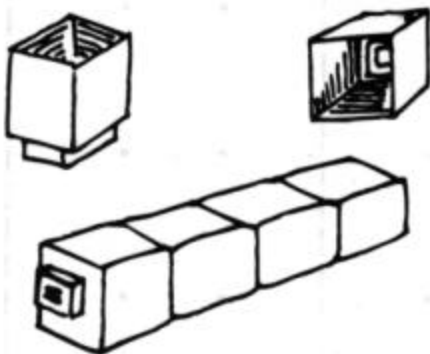
# *Number Journal*

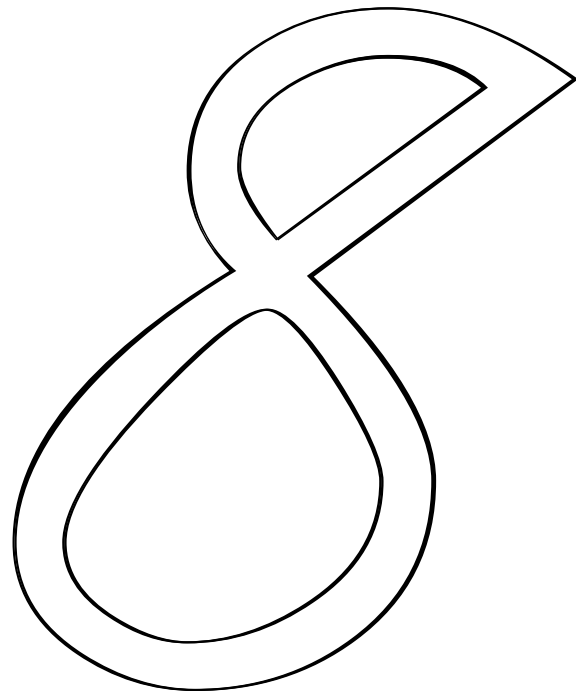
---



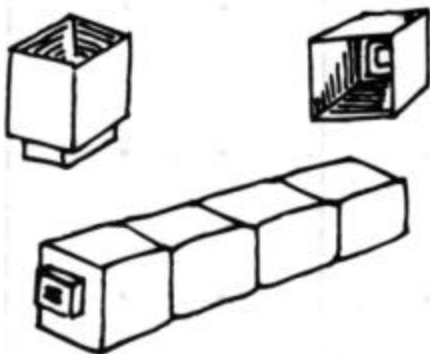


# *Number Journal*

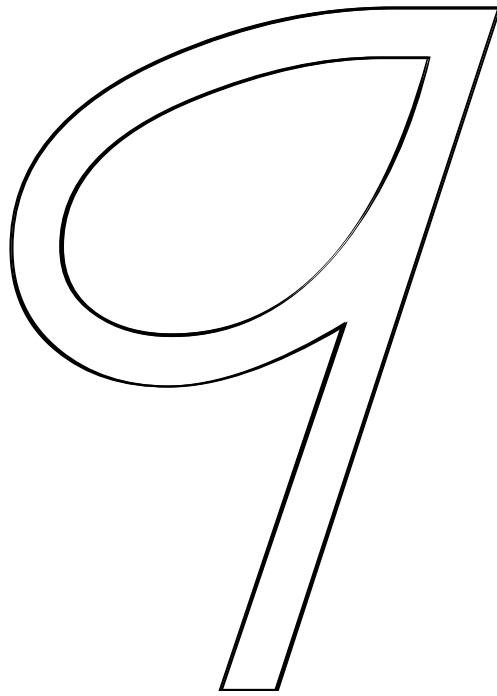




# *Number Journal*

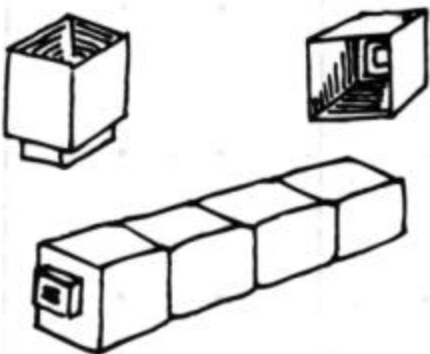


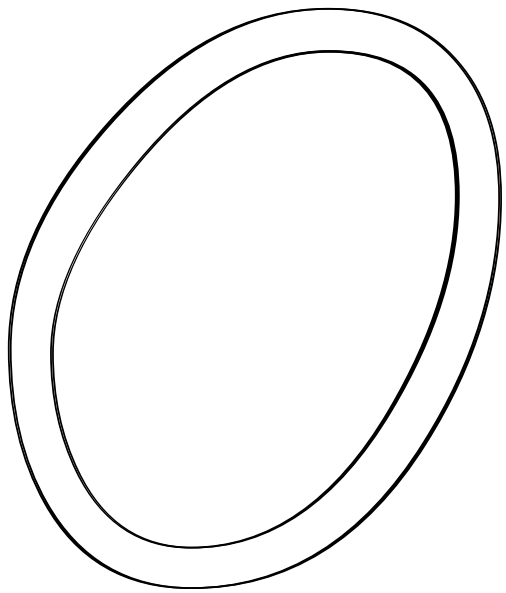
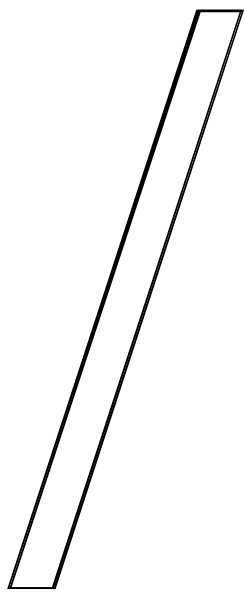




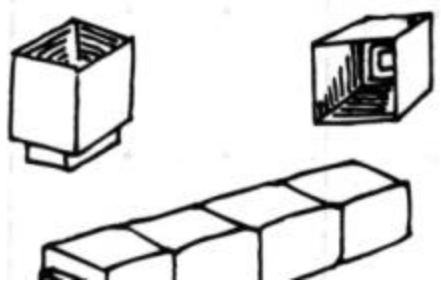
*Number Journal*

---



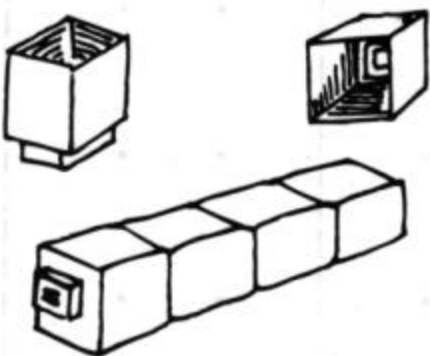


*Number Journal*



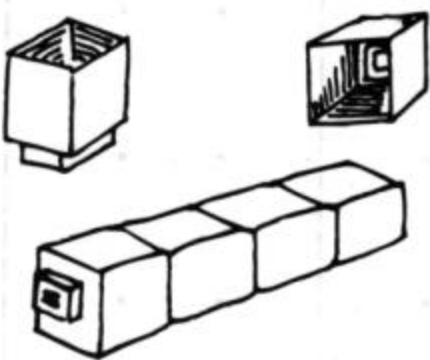
# Review

1, 2, 3



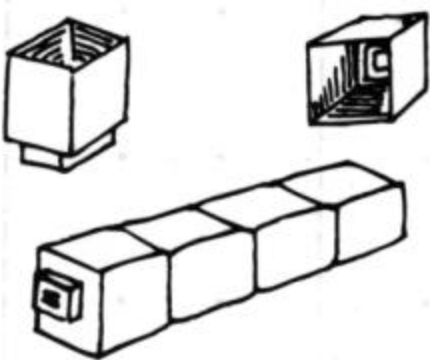
# Review

1, 2, 3, 4



# Review

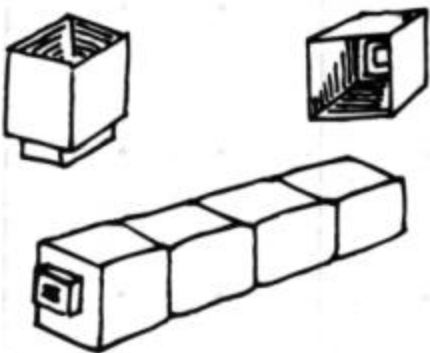
1, 2, 3, 4, 5



# Review

1, 2, 3, 4,

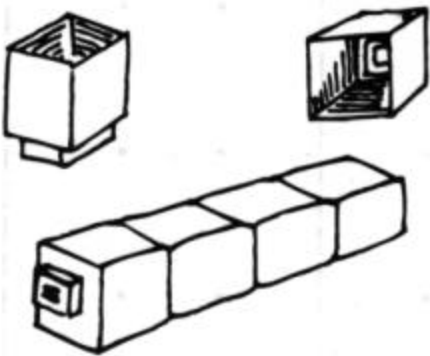
5, 6



# Review

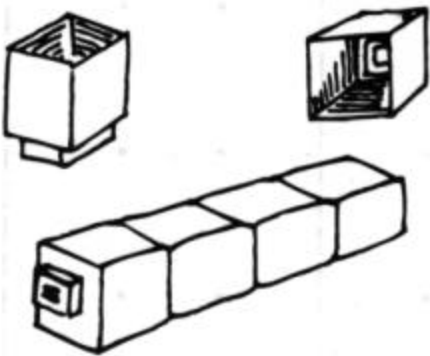
1, 2, 3, 4,

5, 6, 7



# Review

1, 2, 3, 4,  
5, 6, 7, 8

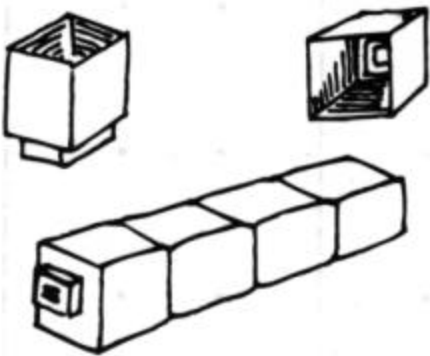




# Review

1, 2, 3, 4,  
5, 6, 7, 8, 9

---



# Review

1, 2, 3, 4, 5,  
6, 7, 8, 9, / 0

